

TOSHIBA

AIR CONDITIONING



SDI

DI

Inverter Air Conditioning
for Light Commercial Use





Cost Saving



Comfort

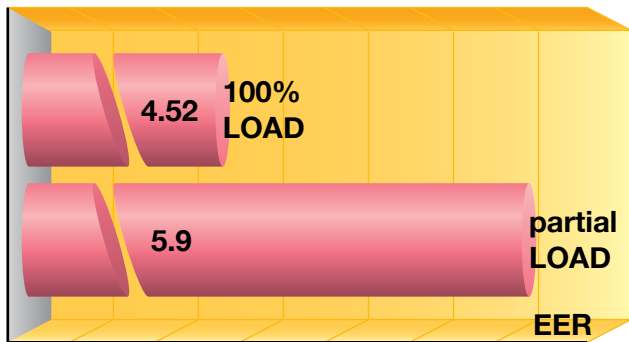


An efficient use of time

SDI Series 4

Enhanced Energy Efficiency (RAV-SP1104AT-A, RAV-SP1404AT-A)

Has excellent efficiency, not only below rated EER conditions, but also during partial load, which is the larger part of actual operating conditions.



In addition to achieving a top ranking during 100% load (rated) conditions...

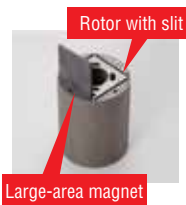
For most of the year, the air conditioner (cooler) operates while the outdoor temperature is less than 30°C. At this time, the air conditioner load is approximately 50%, and at this level the EER is significantly greater than during rated conditions. This indicates energy efficiency in a way that cannot be expressed using just the rated energy consumption rate.



Equipped with a newly developed eco-driving DC twin rotary compressor



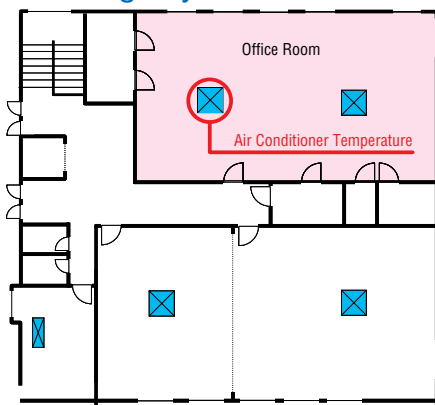
A low minimum speed of 10 rps has been achieved. This has further improved the operating efficiency when the load is low (the minimum in Series 2 was 15 rps).



The structure and shape of each compressor component has been optimised. The area of the rotor magnet has been increased and a slit introduced to the design. These improvements have further enhanced efficiency and reduced noise.

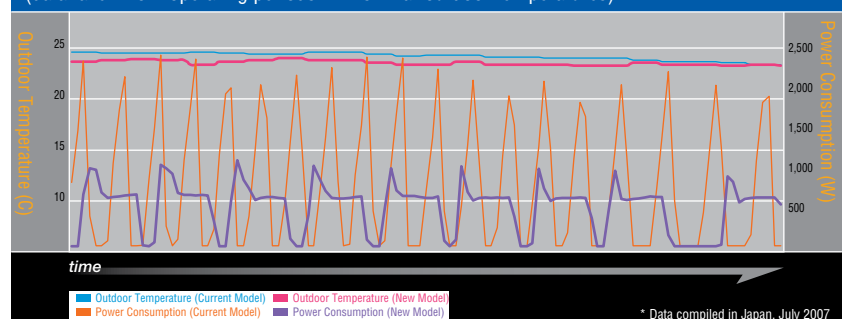
10 rps Operation Verification Test

Building Layout



To compare operating efficiency under low load operating conditions, field tests were performed where the outdoor temperature was approximately 24°C. This is about the same as when the air conditioning is set to room temperature. Measurements were taken that demonstrated that the energy consumption of the new model was 30% less than the current model (equivalent to the areas enclosed by the energy consumption curves along the time axis).

Comparison of Measurement Results
(data taken from operating periods with similar outdoor temperatures)



* Data compiled in Japan, July 2007

Line up

SDI series

single phase



Compact 4-way Cassette Type		RAV-SM564MUT-E	-	-	-
4-way Cassette Type		RAV-SM564UTP-E	RAV-SM804UTP-E	RAV-SM1104UTP-E	RAV-SM1404UTP-E
6 Series Duct Type		RAV-SM566BT-E	RAV-SM806BT-E	RAV-SM1106BT-E	RAV-SM1406BT-E
Ceiling Type		RAV-SM564CT-E	RAV-SM804CT-E	RAV-SM1104CT-E	RAV-SM1404CT-E
Hi-Wall Type		RAV-SM566KRT-A	RAV-SM806KRT-A	-	-

DI series

single phase



4-way Cassette Type		RAV-SM564UTP-E	RAV-SM804UTP-E	RAV-SM1104UTP-E	RAV-SM1404UTP-E	RAV-SM1604UTP-E
---------------------	--	----------------	----------------	-----------------	-----------------	-----------------

SDI series

three phase



4-way Cassette Type		RAV-SM1404UTP-E	RAV-SM1604UTP-E
Ducted Type		RAV-SM1406BT-E	-
Ceiling Type		RAVSM1404CT-E	-

Indoor Units



4-way
Cassette
Type



Duct
Type



Ceiling
Type



High-wall
Type

Compact 4-way Cassette Type



Model

RAV-SM564MUT-E

Panel

RBC-UM11PG(W)-E



Perfect for grid system ceiling

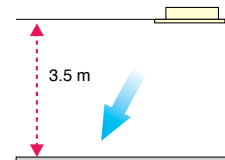
1. This compact unit (575mm x 575mm) fits perfectly into ceilings and matches standard architectural modules, without the need to cut ceiling tiles.
2. The compact & stylish panel design is ideal for fashionable restaurants, shops and offices.
3. The louvers fold tightly against the ceiling when operation stops so that the ceiling is affected only slightly even if air-conditioning is installed.

Designed for simple & easy installation and maintenance

1. The slim design is only 268 mm in height even when an electrical box is located inside the unit.
2. Easy access to electrical box is achieved by simply removing the suction grill.
The ceiling type offers easy installation and maintenance, since the electrical box is located inside the unit.
3. Easy installation can also be achieved using the panel adjust pocket.
Use the "gadjust pocket" function for fine adjustments after installation.
4. The drain up height is 850 mm from base of FCU.
5. Available for ceilings up to 3.5 m.
6. The drain-checking hole makes it possible to check the drain pan through the side case.



Drain-checking hole



Available up to

Comfort



Inverter
Allows step-less regulation of the air-conditioner's power, which reduces energy consumption and improves comfort.



Long-life Filter
Built-in long-life filter makes maintenance easier.



Auto-turn Louvres
Air outlet grilles move automatically to fill every corner of the room with warm or cool air.



Hot Start
When using the heater for preheating or defrosting, stops the indoor fan to prevent cold air from being blown into the room.



Automatic Air Volume Control
Depending on the difference between the room temperature and the set temperature, switches automatically between High, Low and Very Low.



Automatic Cooling/Heating
Automatically switches between cooling and heating mode.



Dry
Gradually dehumidifies the room to create even greater comfort.

Operativity



Filter Sign
Automatic displays on the remote controller say when to perform maintenance for the indoor unit filter.



Limit Timer
Uses a 168-hour timer with three modes — "ON timer", "OFF timer" and "Repeat OFF timer".

Installation



Cooler Compatible with an Outdoor Temperature of -15°C
Stable cooler operation is possible when the outdoor temperature is as low as -15°C.



Built-in Drain Pump
The built-in drain pump makes draining easier. (In the ceiling cassette type, it is built in to the main unit.)



COMPACT 4 WAY CASSETTE TYPE – SINGLE PHASE

Indoor			RAV-SM564MUT-E	
Outdoor			RAV-SP564ATP-A	
Refrigerant Type			R410A	
Power Supply		Volts-Phase-Hz	220-240V/1/50Hz	
Cooling	Capacity - Rated	kW	4.7	
	Capacity - Range (min ~ max)	kW	1.2~ 5.6	
	Efficiency (rated)	EER	3.38	
	Power Input (min ~ rated ~ max)	kW	0.21~ 1.39 ~2.29	
	Operating Current (rated)	A	6.45 (220V)	
Heating	Capacity - Rated	kW	5.6	
	Capacity - Range (min ~ max)	kW	0.9~ 7.4	
	Efficiency (rated)	COP	3.64	
	Power Input (min ~ rated ~ max)	kW	0.17~ 1.54 ~2.37	
	Operating Current (rated)	A	6.45	
Indoor	Dimension (HxWxD)	mm	268x575x575	
Unit	Net Weight	kg	16	
	Airflow Volume (h/l)	L/s	221.7/151.7	
	Heating Airflow Volume (H/L)	L/s	221.7/151.7	
	Moisture Removal (Cooling)	L/hr	-	
	Fan Motor Output	W	60	
	Sound Pressure(H/M/L) at 1m distance	dBA	43/39/34	
	Sound Power(H/M/L)	dBA	58/54/49	
	Heating Operating Noise (Sound Pressure) (H/L) at 1m distance	dBA (@spl)	43/39/34	
	Heating Operating Noise (Sound Power) (H/L)	dBA (@swl)	58/54/49	
	Cooling Usable Temperature Range	OC	21-32	
	Heating Usable Temperature Range	OC	15-24	
	Outdoor	Dimension (HxWxD)	mm	550x780x290
	Unit	Net Weight	kg	44
		Compressor Type		DC Twin Rotary
Fan Motor Output		W	43	
Cooling Operating Noise (Sound Pressure) (H) at 1m distance		dBA (@spl)	47	
Cooling Operating Noise (Sound Power) (H)		dBA (@swl)	63	
Heating Operating Noise (Sound Pressure) (H) at 1m distance		dBA (@spl)	48	
Heating Operating Noise (Sound Power) (H)		dBA (@swl)	64	
Cooling Usable Temperature Range		OC	-15~43	
Heating Usable Temperature Range		OC	-20~15	
Pipe Size		Liquid Line Ø	mm	6.4
		Gas Line Ø	mm	12.7
	Coupler Style		flare connention	
	Maximum Length	m	50	
	Chargeless Length	m	20	
	Maximum Height Difference	m	30	

4-way Cassette Type



Models

- RAV-SM564UTP-E
- RAV-SM804UTP-E
- RAV-SM1104UTP-E
- RAV-SM1404UTP-E
- RAV-SM1604UTP-E

Panels

- RBC-U31PG(W)-E
- RBC-U31PGP(W)-E



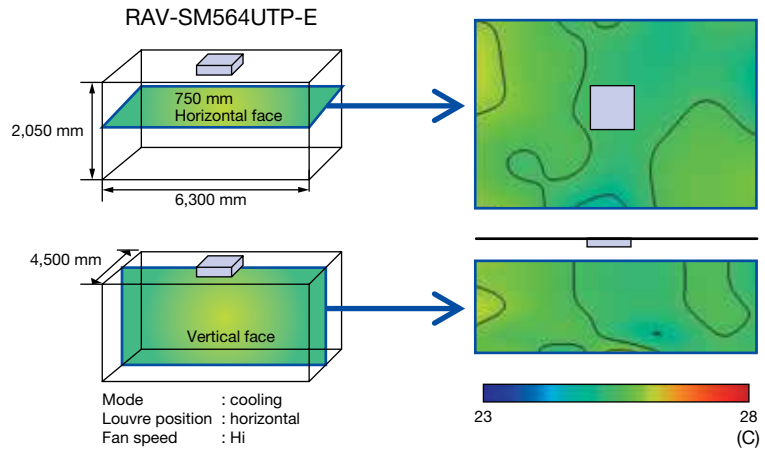
RBC-U31PG(W)-E

Wireless remote controller kit (optional)

- RBC-AX31U(W)-E



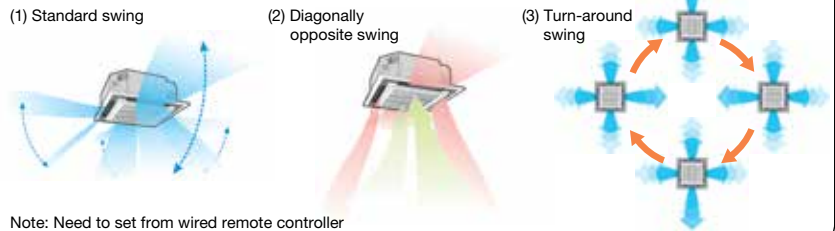
Temperature conditioning



Individual Louvre Control

The angles of each of the four louvres can be set individually
⇒ Enables airflow to be chosen according to user preferences.

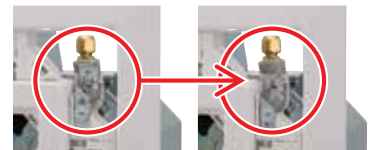
Three louvre swing patterns



Note: Need to set from wired remote controller

Easy installation

The panel is attached using the bolt that is already installed on the indoor unit.



Comfort

Inverter
Allows step-less regulation of the air-conditioner's power, which reduces energy consumption and improves comfort.

Long-life Filter
Built-in long-life filter makes maintenance easier.

Individual louvre control
Enables airflows to be chosen according to user preferences.

Hot Start
When using the heater for preheating or defrosting, stops the indoor fan to prevent cold air from being blown into the room.

Auto-turn Louvres
Air outlet grilles move automatically to fill every corner of the room with warm or cool air.

Automatic Cooling/Heating
Automatically switches between cooling and heating mode.

Automatic Air Volume Control
Depending on the difference between the room temperature and the set temperature, switches automatically between High, Low and Very Low.

Dry
Gradually dehumidifies the room to create even greater comfort.

Operativity

Filter Sign
Automatic displays on the remote controller say when to perform maintenance for the indoor unit filter.

Limit Timer
Uses a 168-hour timer with three modes — "ON timer", "OFF timer" and "Repeat OFF timer".

Installation

Cooler Compatible with an Outdoor Temperature of -15°C
Stable cooler operation is possible when the outdoor temperature is as low as -15°C.

Built-in Drain Pump
The built-in drain pump makes draining easier. (In the ceiling cassette type, it is built in to the main unit.)



4 WAY CASSETTE TYPE SUPER DIGITAL INVERTER – SINGLE PHASE

Indoor			RAV-SM564UTP-E	RAV-SM804UTP-E	RAV-SM1104UTP-E	RAV-SM1404UTP-E	
Outdoor			RAV-SP564ATP-A	RAV-SP804ATP-A	RAV-SP1104AT-A	RAV-SP1404AT-A	
Refrigerant Type			R410A	R410A	R410A	R410A	
Power Supply		Volts-Phase-Hz	220-240V - 1 - 50Hz	220-240V - 1 - 50Hz	220/240V - 1 - 50Hz	220/240V - 1 - 50Hz	
Cooling	Capacity - Rated	kW	5.3	7.1	10	12.5	
	Capacity - Range (min ~ max)	kW	1.2~ 5.6	1.9~ 8.0	2.6~ 12.0	2.6~ 14.0	
	Efficiency (rated)	EER	3.61	3.82	4.52	3.96	
	Power Input (min ~ rated ~ max)	kW	0.20~ 1.47 ~1.95	0.30~ 1.86 ~2.52	0.64~ 2.21 ~3.60	0.64~ 3.16 ~4.40	
	Operating Current (rated)	A	6.82 (220V)	8.72 (220V)	10.36 (220V)	14.66 (220V)	
Heating	Capacity - Rated	kW	5.6	8.0	11.2	14	
	Capacity - Range (min ~ max)	kW	0.9~ 8.1	1.3~11.3	2.4~ 13.0	2.4~ 16.5	
	Efficiency (rated)	COP	4.63	4.19	4.79	4.36	
	Power Input (min ~ rated ~ max)	kW	0.15~ 1.21 ~2.4	0.25~ 1.91~3.52	0.52~ 2.34 ~4.20	0.52~ 3.21 ~4.50	
	Operating Current (rated)	A	6.82	8.72	10.96 (220V)	14.89 (220V)	
Indoor	Dimension (HxWxD)	mm	256x840x840	256x840x840	319x840x840	319x840x840	
Unit	Net Weight	kg	20	20	24	24	
	Airflow Volume (h/l)	L/s	291.7/216.7	341.7/225.0	558.4/325.1	583.5/341.7	
	Heating Airflow Volume (H/L)	L/s	291.7/216.7	341.7/225.0	558.4/325.1	583.5/341.7	
	Fan Motor Output	W	14	20	68	72	
	Sound Pressure(H/M/L) at 1m distance	dBA	32/29/28	35/31/28	43/38/33	44/38/34	
	Sound Power(H/M/L)	dBA	47/44/43	50/46/43	58/53/48	59/53/49	
	Outdoor	Dimension (HxWxD)	mm	550x780x290	890x900x320	1340x900x320	1340x900x320
	Unit	Net Weight	kg	44	66	93	93
		Compressor Type		DC Twin Rotary	DC Twin Rotary	DC Twin Rotary	DC Twin Rotary
		Fan Motor Output	W	43	63	100+100	100+100
Cooling Operating Noise (Sound Pressure) (H) at 1m distance		dBA (@spl)	47	48	49	51	
Cooling Operating Noise (Sound Power) (H)		dBA (@swl)	63	64	66	68	
Heating Operating Noise (Sound Pressure) (H) at 1m distance		dBA (@spl)	48	49	50	52	
Heating Operating Noise (Sound Power) (H)		dBA (@swl)	64	65	67	69	
Cooling Usable Temperature Range		OC	-15~43	-15~43	-15/43	-15/43	
Heating Usable Temperature Range		OC	-20~15	-20~15	-20/15	-20/15	
Pipe Size		Liquid Line Ø	mm	6.4	9.5	9.5	9.5
	Gas Line Ø	mm	12.7	15.9	15.9	15.9	
	Coupler Style		flare connention	flare connention	Flaring	Flaring	
	Drain (Inside Diameter) Ø	mm	VP25	VP25	VP25	VP25	
	Maximum Length	m	50	50	75	75	
	Chargeless Length	m	20	30	30	30	
	Maximum Height Difference	m	30	30	30	30	

4 WAY CASSETTE TYPE SUPER DIGITAL INVERTER – 3 PHASE

Indoor			RAV-SM1404UTP-E	RAV-SM1604UTP-E	
Outdoor			RAV-SP1404AT8-A	RAV-SP1604AT8-A	
Refrigerant Type			R410A	R410A	
Power Supply		Volts-Phase-Hz	380-415V /3φ/50Hz	380-415V /3φ/50Hz	
Cooling	Capacity - Rated	kW	12.5	14	
	Capacity - Range (min ~ max)	kW	2.6-14.0	2.6-16.0	
	Efficiency (rated)	EER	3.61	3.12	
	Power Input (min ~ rated ~ max)	kW	0.66-3.46-4.40	0.66-4.49-5.70	
	Operating Current (rated)	A	6.03	7.55	
Heating	Capacity - Rated	kW	14	16.0	
	Capacity - Range (min ~ max)	kW	2.4-18.0	2.4-19.0	
	Efficiency (rated)	COP	4.09	3.72	
	Power Input (min ~ rated ~ max)	kW	0.53-3.42-5.50	0.53-4.30-6.51	
	Operating Current (rated)	A	6.03	7.55	
Indoor	Dimension (HxWxD)	mm	319x840x840	319x840x840	
Unit	Net Weight	kg	24	24	
	Airflow Volume (H)	L/s	583	592	
	Heating Airflow Volume (H/L)	L/s	583	592	
	Fan Motor Output	W	72	72	
	Sound Pressure(H/L) at 1m distance	dBA	44/34	45/36	
	Sound Power(H/L)	dBA	59/49	60/51	
	Heating Operating Noise (Sound Pressure) (H/L) at 1m distance	dBA (@spl)	44/34	45/36	
	Heating Operating Noise (Sound Power) (H/L)	dBA (@swl)	59/49	60/51	
	Outdoor	Dimension (HxWxD)	mm	1340x900x320	1340x900x320
	Unit	Net Weight	kg	95	95
Compressor Type			DC twin rotary	DC twin rotary	
Fan Motor Output		W	100+100	100+100	
Cooling Operating Noise (Sound Pressure) (H) at 1m distance		dBA (@spl)	51	51	
Cooling Operating Noise (Sound Power) (H)		dBA (@swl)	68	68	
Heating Operating Noise (Sound Pressure) (H) at 1m distance		dBA (@spl)	52	53	
Heating Operating Noise (Sound Power) (H)		dBA (@swl)	69	70	
Cooling Usable Temperature Range		DB°C	-15/+46	-15/+46	
Heating Usable Temperature Range		WB°C	-20/+15	-20/+15	
Pipe Size		Liquid Line Ø	mm	9.5	9.5
	Gas Line Ø	mm	15.9	15.9	
	Coupler Style		flare connection	flare connection	
	Maximum Length	m	75	75	
	Chargeless Length	m	30	30	
	Maximum Height Difference	m	30	30	

4 WAY CASSETTE TYPE DIGITAL INVERTER – SINGLE PHASE

Indoor			RAV-SM564UTP-E	RAV-SM804UTP-E	RAV-SM1104UTP-E	RAV-SM1404UTP-E	RAV-SM1604UTP-E	
Outdoor			RAV-SM563AT-A	RAV-SM803AT-A	RAV-SM1103AT-A	RAV-SM1403AT-A	RAV-SM1603AT-A	
Refrigerant Type			R410A	R410A	R410A	R410A	R410A	
Power Supply		Volts-Phase-Hz	220/240V - 1 - 50Hz	220/240V - 1 - 50Hz	220/240V - 1 - 50Hz	220/240V - 1 - 50Hz	220/240V - 1 - 50Hz	
Cooling	Capacity - Rated	kW	5.3	6.2	10	11.2	14	
	Capacity - Range (min ~ max)	kW	1.5~ 5.6	1.5~ 8.0	3.0~ 11.2	3.0~ 13.2	3.0~ 16.0	
	Efficiency (rated)	EER	3.21	3.37	3.22	3.34	3.12	
	Power Input (min ~ rated ~ max)	kW	0.35~ 1.65 ~1.86	0.45~ 1.84 ~2.60	0.60~ 3.11 ~4.10	0.65~ 3.35 ~4.50	0.65~ 4.49 ~5.70	
	Operating Current (rated)	A	7.89 (220V)	8.90 (220V)	14.42 (220V)	15.70 (220V)	21.48 (220V)	
Heating	Capacity - Rated	kW	5.6	8	11.2	14	16	
	Capacity - Range (min ~ max)	kW	1.5~ 6.3	1.5~9.0	3.0~ 13.0	3.0~ 16.0	3.0~ 18.0	
	Efficiency (rated)	COP	3.89	3.62	3.82	3.68	3.61	
	Power Input (min ~ rated ~ max)	kW	0.35~ 1.44 ~2.08	0.45~ 2.21~3.03	0.60~ 2.93 ~4.30	0.65~ 3.80 ~4.50	0.65~ 4.43 ~6.51	
	Operating Current (rated)	A	6.89 (220V)	10.65 (220V)	13.59 (220V)	17.81 (220V)	21.20 (220V)	
Indoor	Dimension (HxWxD)	mm	256x840x840	256x840x840	319x840x840	319x840x840	319x840x840	
Unit	Net Weight	kg	20	20	24	24	24	
	Airflow Volume (H)	L/s	291.7/216.7	341.7/225.0	558.4/325.1	583.5/341.7	591.8/350.1	
	Heating Airflow Volume (H/L)	L/s	291.7/216.7	341.7/225.0	558.4/325.1	583.5/341.7	591.8/350.1	
	Fan Motor Output	W	14	20	68	72	72	
	Sound Pressure(H/M/L) at 1m distance	dBA	32/29/28	35/31/28	43/38/33	44/38/34	45/40/36	
	Sound Power(H/M/L)	dBA	47/44/43	50/46/43	58/53/48	59/53/49	60/55/51	
	Heating Operating Noise (Sound Pressure) (H/M/L) at 1m distance	dBA (@spl)	32/29/28	35/31/28	43/38/33	44/38/34	45/40/36	
	Heating Operating Noise (Sound Power) (H/M/L)	dBA (@swl)	47/44/43	50/46/43	58/53/48	59/53/49	60/55/51	
	Outdoor	Dimension (HxWxD)	mm	550x780x290	795x900x320	795x900x320	1340x900x320	1340x900x320
	Unit	Net Weight	kg	44	63	93	93	99
Compressor Type			DC Twin Rotary	DC Twin Rotary	DC Twin Rotary	DC Twin Rotary	DC Twin Rotary	
Fan Motor Output		W	43	63	100+100	100+100	100+100	
Cooling Operating Noise (Sound Pressure) (H) at 1m distance		dBA (@spl)	46	48	53	54	51	
Cooling Operating Noise (Sound Power) (H)		dBA (@swl)	63	65	70	71	68	
Heating Operating Noise (Sound Pressure) (H) at 1m distance		dBA (@spl)	48	50	54	54	53	
Heating Operating Noise (Sound Power) (H)		dBA (@swl)	65	67	71	71	70	
Cooling Usable Temperature Range		DB°C	-15/43	-15/43	-15/43	-15/43	-15/43	
Heating Usable Temperature Range		WB°C	-15/15	-15/15	-15/15	-15/15	-15/15	
Pipe Size		Liquid Line Ø	mm	6.4	9.5	9.5	9.5	9.5
	Gas Line Ø	mm	12.7	15.9	15.9	15.9	15.9	
	Coupler Style		Flaring	Flaring	Flaring	Flaring	Flaring	
	Drain (Inside Diameter) Ø	mm	VP25	VP25	VP25	VP25	VP25	
	Maximum Length	m	50	50	50	50	50	
	Chargeless Length	m	20	30	30	30	30	
	Maximum Height Difference	m	30	30	30	30	30	

4 WAY CASSETTE TYPE – TWIN

Indoor			RAV-SM804UTP-E x 2	
Outdoor			RAV-SM1403AT-A	
Refrigerant Type			R410A	
Power Supply		Volts-Phase-Hz	220/240V - 1 - 50Hz	
Cooling	Capacity - Rated	kW	11.2	
	Capacity - Range (min ~ max)	kW	3.0~ 13.2	
	Efficiency (rated)	EER	3.34	
	Power Input (min ~ rated ~ max)	kW	0.65~ 3.35 ~4.50	
	Operating Current (rated)	A	15.70 (220V)	
Heating	Capacity - Rated	kW	14.0	
	Capacity - Range (min ~ max)	kW	3.0~ 16.0	
	Efficiency (rated)	COP	3.68	
	Power Input (min ~ rated ~ max)	kW	0.65~ 3.80 ~4.50	
	Operating Current (rated)	A	17.81 (°C220V)	
Indoor	Dimension (HxWxD)	mm	320x1350x800	
Unit	Net Weight	kg	54	
	Airflow Volume (H/L)	L/s	550.1/385.1	
	Heating Airflow Volume (H/L)	L/s	550.1/385.1	
	Fan Motor Output	W	120	
	Sound Pressure(HM/L) at 1m distance	dBA	35/31/28	
	Sound Power(H/M/L)	dBA	50/46/43	
	Heating Operating Noise (Sound Pressure) (H/L) at 1m distance	dBA (@spl)	35/31/28	
	Heating Operating Noise (Sound Power) (H/L)	dBA (@swl)	50/46/43	
	Outdoor	Dimension (HxWxD)	mm	795x900x320
	Unit	Net Weight	kg	77
Compressor Type			DC Twin Rotary	
Fan Motor Output		W	100+100	
Cooling Operating Noise (Sound Pressure) (H) at 1m distance		dBA (@spl)	54	
Cooling Operating Noise (Sound Power) (H)		dBA (@swl)	71	
Heating Operating Noise (Sound Pressure) (H) at 1m distance		dBA (@spl)	54	
Heating Operating Noise (Sound Power) (H)		dBA (@swl)	71	
Cooling Usable Temperature Range		DB°C	-15/43	
Heating Usable Temperature Range		WB°C	-15/15	
Pipe Size		Liquid Line Ø	mm	9.5
	Gas Line Ø	mm	15.9	
	Coupler Style		Flaring	
	Drain (Inside Diameter) Ø	mm	VP25	
	Maximum Length	m	50	
	Chargeless Length	m	30	
	Maximum Height Difference	m	30	

Versatile and Clever Duct Type

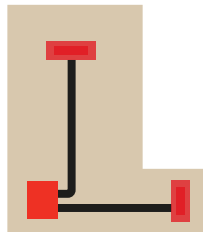


Models

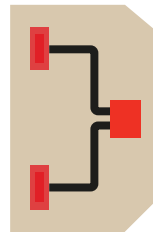
- RAV-SM566BT-E
- RAV-SM806BT-E
- RAV-SM1106BT-E
- RAV-SM1406BT-E

Wide range of applications

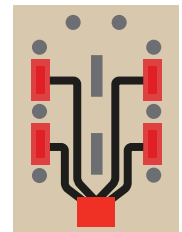
The use of ducts allows air outlets to be conveniently installed anywhere on the ceiling, eliminating the conspicuous presence of the air conditioner in the center of the room. Not only can this be applied to a wide variety of layouts from narrow spaces to polygonal rooms; it also greatly improves the aesthetics of a room with its unobtrusive presence.



Polygonal rooms



Narrow rooms



Rooms with fixtures and obstacles

High static pressure

External static pressure can be raised as high as 98 Pa, so that all areas of the room can be reached for even temperature distribution, no matter how complex the layout.

High-lift drain pump

The flexible piping layout is made possible by an optionally available drain-pump kit that raises the drain piping up to 27 cm from the drain port.

Comfort



Inverter
Allows step-less regulation of the air-conditioner's power, which reduces energy consumption and improves comfort.



Hot Start
When using the heater for preheating or defrosting, stops the indoor fan to prevent cold air from being blown into the room.



Automatic Air Volume Control
Depending on the difference between the room temperature and the set temperature, switches automatically between High, Low and Very Low.



Automatic Cooling/Heating
Automatically switches between cooling and heating mode.



Long-life Filter
Built-in long-life filter makes maintenance easier.



Dry
Gradually dehumidifies the room to create even greater comfort.

Operativity



Filter Sign
Automatic displays on the remote controller say when to perform maintenance for the indoor unit filter.



Limit Timer
Uses a 168-hour timer with three modes — "ON timer", "OFF timer" and "Repeat OFF timer".

Installation



Cooler Compatible with an Outdoor Temperature of -15°C
Stable cooler operation is possible when the outdoor temperature is as low as -15°C.



Built-in Drain Pump
The built-in drain pump makes draining easier. (In the ceiling cassette type, it is built in to the main unit.)



DUCT TYPE – SUPER DIGITAL INVERTER

Indoor			RAV-SM566BT-E	RAV-SM806BT-E	RAV-SM1106BT-E	RAV-SM1406BT-E	
Outdoor			RAV-SPP564ATP-A	RAV-SP804ATP-A	RAV-SP1104AT-A	RAV-SP1404AT-A	
Refrigerant Type			R410A	R410A	R410A	R410A	
Power Supply		Volts-Phase-Hz	220-240V/1/50Hz	220-240V/1/50Hz	220-240V -/1/50Hz	220-240V -/1/50Hz	
Cooling	Capacity - Rated	kW	4.9	7.1	10.0	12.5	
	Capacity - Range (min ~ max)	kW	1.2-5.6	1.9-8.0	2.6-12.0	2.6-14.0	
	Efficiency (rated)	EER	3.25	3.45	3.79	3.26	
	Power Input (min ~ rated ~ max)	kW	0.21/1.51/2.05	0.30/2.06/2.88	0.64/2.64/3.80	0.64/3.83/4.47	
	Operating Current (rated)	A	7.00	9.65	12.30	17.70	
	Heating	Capacity - Rated	kW	5.6	8.0	11.2	14.0
Capacity - Range (min ~ max)		kW	0.9-7.4	1.3-10.6	2.4-13.0	2.4-16.5	
Efficiency (rated)		COP	3.61	3.62	4.04	3.81	
Power Input (min ~ rated ~ max)		kW	0.17/1.55/2.51	0.27/2.21/3.50	0.52/2.77/4.00	0.52/3.67/4.50	
Operating Current (rated)		A	7.18	10.3	12.90	17.00	
Indoor Unit		Dimension (HxWxD)	mm	275x700x750	275x1000x750	275x1400x750	275x1400x750
	Net Weight	kg	23	40	40	40	
	Airflow Volume (H/L)	L/s	222/133	333/200	583/350	583/350	
	Heating Airflow Volume (H/L)	L/s	222/133	333/200	583/350	583/350	
	Fan Motor Output	W	150	150	250	250	
	Sound Pressure(H/M/L) at 1m distance	dB(A)	33/29/25	34/30/26	40/36/33	40/36/33	
	Sound Power(H/M/L)	dB(A)	55/51/46	55/51/46	63/58/54	63/58/54	
	Heating Operating Noise (Sound Pressure) (H/M/L) at 1m distance	dB(A) (@spl)	33/29/25	34/30/26	40/36/33	40/36/33	
	Heating Operating Noise (Sound Power) (H/M/L)	dB(A) (@swl)	55/51/46	55/51/46	63/58/54	63/58/54	
	Outdoor Unit	Dimension (HxWxD)	mm	550x780x290	890x900x320	1340x900x320	1340x900x320
		Net Weight	kg	44	66	93	93
		Compressor Type		DC Twin Rotary	DC Twin Rotary	DC twin rotary	DC twin rotary
		Fan Motor Output	W	43	63	100+100	100+100
		Cooling Operating Noise (Sound Pressure) (H) at 1m distance	dB(A) (@spl)	47	48	49	51
Cooling Operating Noise (Sound Power) (H)		dB(A) (@swl)	63	64	66	68	
Heating Operating Noise (Sound Pressure) (H) at 1m distance		dB(A) (@spl)	48	49	50	52	
Heating Operating Noise (Sound Power) (H)		dB(A) (@swl)	64	65	67	69	
Cooling Usable Temperature Range		OC	-15~43	-15~43	-15/+43	-15/+43	
Heating Usable Temperature Range		OC	-20~-15	-20~-15	-20/+15	-20/+15	
Pipe Size		Liquid Line Ø	mm	6.4	9.5	9.5	9.5
		Gas Line Ø	mm	12.7	15.9	15.9	15.9
		Coupler Style		flare connection	flare connection	flare connection	flare connection
		Maximum Length	m	50	50	75	75
	Chargeless Length	m	20	30	30	30	
	Maximum Height Difference	m	30	30	30	30	

DUCT TYPE – 3 PHASE SYSTEM

Indoor				RAV-SM1406BT-E	
Outdoor				RAV-SP1404AT8-A	
Refrigerant Type				R410A	
Power Supply		Volts-Phase-Hz		380-415V /3/50Hz	
Cooling	Capacity - Rated	kW		12.5	
	Capacity - Range (min ~ max)	kW		2.6-14.0	
	Efficiency (rated)	EER		3.24	
	Power Input (min ~ rated ~ max)	kW		0.66-3.86-4.89	
	Operating Current (rated)	A		6.74	
	Heating	Capacity - Rated	kW		14.0
Capacity - Range (min ~ max)		kW		2.4-18.0	
Efficiency (rated)		COP		3.81	
Power Input (min ~ rated ~ max)		kW		0.53-3.67-5.71	
Operating Current (rated)		A		6.74	
Indoor Unit		Dimension (HxWxD)	mm		275x1400x750
	Net Weight	kg		40	
	Airflow Volume (H)	L/s		583	
	Heating Airflow Volume (H/L)	L/s		583	
	Fan Motor Output	W		250	
	Sound Pressure(H/L) at 1m distance	dB(A)		40/33	
	Sound Power(H/L)	dB(A)		63/54	
	Heating Operating Noise (Sound Pressure) (H/L) at 1m distance	dB(A) (@spl)		40/33	
	Heating Operating Noise (Sound Power) (H/L)	dB(A) (@swl)		63/54	
	Outdoor Unit	Dimension (HxWxD)	mm		1340x900x320
		Net Weight	kg		95
		Compressor Type			DC twin rotary
		Fan Motor Output	W		100+100
		Cooling Operating Noise (Sound Pressure) (H) at 1m distance	dB(A) (@spl)		51
Cooling Operating Noise (Sound Power) (H)		dB(A) (@swl)		68	
Heating Operating Noise (Sound Pressure) (H) at 1m distance		dB(A) (@spl)		52	
Heating Operating Noise (Sound Power) (H)		dB(A) (@swl)		69	
Cooling Usable Temperature Range		DB°C		-15/+46	
Heating Usable Temperature Range		WB°C		-20/+15	
Pipe Size		Liquid Line Ø	mm		9.5
		Gas Line Ø	mm		15.9
		Coupler Style			flare connection
		Maximum Length	m		75
	Chargeless Length	m		30	
	Maximum Height Difference	m		30	

Quiet and Comfortable Ceiling Type



Models

RAV-SM564CT-E
RAV-SM804CT-E
RAV-SM1104CT-E
RAV-SM1404CT-E

Wireless remote controller kit

RBC-AX22CE2



Comfortable ambience

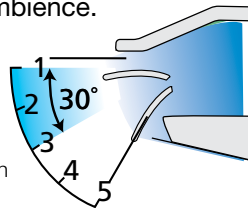
Very quiet operation

A new design has been adopted that greatly reduces the noise level to half that of conventional units. Operation is always whisper-quiet.

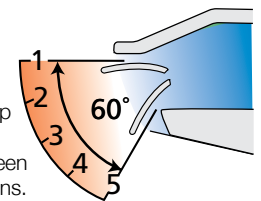
Flap control

The airflow angle is automatically set to the most suitable setting according to your cooling or heating needs, and an automatic swing mode enables airflow to reach all areas of the room to create a comfortable ambience.

In cooling mode, the flap automatically swings between the top three positions.



In heating mode, the flap automatically swings between all five positions.



Installation efficiency

Suspending the unit from the ceiling saves the complex installation procedures. It can be suspended simply by adjusting two screws on the intake grill. Compared to units which involve a dozen screws, installation is further simplified.

Comfort



Inverter
Allows step-less regulation of the air-conditioner's power, which reduces energy consumption and improves comfort.



Hot Start
When using the heater for preheating or defrosting, stops the indoor fan to prevent cold air from being blown into the room.



Auto-turn Louvres
Air outlet grilles move automatically to fill every corner of the room with warm or cool air.



Automatic Cooling/Heating
Automatically switches between cooling and heating mode.



Automatic Air Volume Control
Depending on the difference between the room temperature and the set temperature, switches automatically between High, Low and Very Low.



Dry
Gradually dehumidifies the room to create even greater comfort.



Long-life Filter
Built-in long-life filter makes maintenance easier.

Operativity



Filter Sign
Automatic displays on the remote controller say when to perform maintenance for the indoor unit filter.



Limit Timer
Uses a 168-hour timer with three modes — "ON timer", "OFF timer" and "Repeat OFF timer".

Installation



Cooler Compatible with an Outdoor Temperature of -15°C
Stable cooler operation is possible when the outdoor temperature is as low as -15°C.



Built-in Drain Pump
The built-in drain pump makes draining easier. (In the ceiling cassette type, it is built in to the main unit.)

Optional



CEILING TYPE – SUPER DIGITAL INVERTER

Indoor			RAV-SM564CT-E	RAV-SM804CT-E	RAV-SM1104CT-E	RAV-SM1404CT-E	
Outdoor			RAV-SP564ATP-A	RAV-SP804ATP-A	RAV-SP1104AT-A	RAV-SP1404AT-A	
Refrigerant Type			R410A	R410A	R410A	R410A	
Power Supply		Volts-Phase-Hz	220-240V/1/50Hz	220-240V/1/50Hz	220-240V -/1/50Hz	220-240V -/1/50Hz	
Cooling	Capacity - Rated	kW	4.7	6.6	10.0	12.5	
	Capacity - Range (min ~ max)	kW	1.2~ 5.6	1.9~ 8.0	2.6~ 12.0	2.6~ 14.0	
	Efficiency (rated)	EER	3.38	3.46	3.75	3.35	
	Power Input (min ~ rated ~ max)	kW	0.21~ 1.39 ~2.26	0.30~ 1.91 ~2.88	0.64~ 2.67 ~3.70	0.64~ 3.73 ~4.47	
	Operating Current (rated)	A	6.45	8.95	12.51	17.3	
Heating	Capacity - Rated	kW	5.6	8.0	11.2	14.0	
	Capacity - Range (min ~ max)	kW	0.9~ 7.4	1.3~10.6	2.4~ 13.0	2.4~ 16.5	
	Efficiency (rated)	COP	3.81	3.70	4.27	3.84	
	Power Input (min ~ rated ~ max)	kW	0.17~ 1.47 ~2.34	0.27~ 2.16~3.50	0.52~ 2.62 ~4.00	0.52~ 3.65 ~4.60	
	Operating Current (rated)	A	6.45	8.95	12.28	16.93	
Indoor	Dimension (HxWxD)	mm	210x910x680	210x1180x680	210x1595x680	210x1595x680	
Unit	Net Weight	kg	21	25	33	33	
	Airflow Volume (h/l)	L/s	216.7/166.7	308.4/243.4	458.4/353.4	550.1/385.1	
	Heating Airflow Volume (H/L)	L/s	216.7/166.7	308.4/243.4	458.4/353.4	550.1/385.1	
	Fan Motor Output	W	60	60	120	120	
	Sound Pressure(H/M/L) at 1m distance	dBA	36/33/30	38/36/33	41/38/35	43/40/37	
	Sound Power(H/M/L)	dBA	51/48/45	53/51/48	56/53/50	58/55/52	
	Heating Operating Noise (Sound Pressure) (H/L) at 1m distance	dBA (@spl)	36/33/30	38/36/33	41/38/35	43/40/37	
	Heating Operating Noise (Sound Power) (H/L)	dBA (@swl)	51/48/45	53/51/48	56/53/50	58/55/52	
	Outdoor	Dimension (HxWxD)	mm	550x780x290	890x900x320	1340x900x320	1340x900x320
	Unit	Net Weight	kg	44	66	93	93
Compressor Type			DC Twin Rotary	DC Twin Rotary	DC Twin Rotary	DC Twin Rotary	
Fan Motor Output		W	43	63	100+100	100+100	
Cooling Operating Noise (Sound Pressure) (H) at 1m distance		dBA (@spl)	47	48	49	51	
Cooling Operating Noise (Sound Power) (H)		dBA (@swl)	63	64	66	68	
Heating Operating Noise (Sound Pressure) (H) at 1m distance		dBA (@spl)	48	49	50	52	
Heating Operating Noise (Sound Power) (H)		dBA (@swl)	64	65	67	69	
Cooling Usable Temperature Range		OC	-15~43	-15~43	-15/43	-15/43	
Heating Usable Temperature Range		OC	-20~15	-20~15	-20/15	-20/15	
Pipe Size		Liquid Line Ø	mm	6.4	9.5	9.5	9.5
	Gas Line Ø	mm	12.7	15.9	15.9	15.9	
	Coupler Style		flare connention	flare connention	Flaring	Flaring	
	Drain (Inside Diameter) Ø	mm	VP25	VP25	VP25	VP25	
	Maximum Length	m	50	50	75	75	
	Chargeless Length	m	20	30	30	30	
	Maximum Height Difference	m	30	30	30	30	

CEILING TYPE – 3 PHASE SYSTEM

Indoor			RAV-SM1404CT-E	
Outdoor			RAV-SP1404AT8-A	
Refrigerant Type			R410A	
Power Supply		Volts-Phase-Hz	380-415V /3φ/50Hz	
Cooling	Capacity - Rated	kW	12.5	
	Capacity - Range (min ~ max)	kW	2.6-14.0	
	Efficiency (rated)	EER	3.26	
	Power Input (min ~ rated ~ max)	kW	0.66-3.83-4.85	
	Operating Current (rated)	A	6.67	
	Heating	Capacity - Rated	kW	14.0
Capacity - Range (min ~ max)		kW	2.4-18.0	
Efficiency (rated)		COP	3.78	
Star Rating			6.46	
Power Input (min ~ rated ~ max)		kW	0.53-3.70-5.95	
Operating Current (rated)		A	6.67	
Indoor	Dimension (HxWxD)	mm	210x1595x680	
Unit	Net Weight	kg	33	
	Airflow Volume (H)	L/s	500	
	Heating Airflow Volume (H)	L/s	500	
	Fan Motor Output	W	120	
	Sound Pressure(H) at 1m distance	dBA	43/37	
	Sound Power(H)	dBA	58/52	
	Heating Operating Noise (Sound Pressure) (H/L) at 1m distance	dBA (@spl)	43/37	
	Heating Operating Noise (Sound Power) (H/L)	dBA (@swl)	58/52	
	Outdoor	Dimension (HxWxD)	mm	1340x900x320
	Unit	Net Weight	kg	95
Compressor Type			DC twin rotary	
Fan Motor Output		W	100+100	
Cooling Operating Noise (Sound Pressure) (H) at 1m distance		dBA (@spl)	51	
Cooling Operating Noise (Sound Power) (H)		dBA (@swl)	68	
Heating Operating Noise (Sound Pressure) (H) at 1m distance		dBA (@spl)	52	
Heating Operating Noise (Sound Power) (H)		dBA (@swl)	69	
Cooling Usable Temperature Range		DB°C	-15/+46	
Heating Usable Temperature Range		WB°C	-20/+15	
Pipe Size		Liquid Line Ø	mm	9.5
	Gas Line Ø	mm	15.9	
	Coupler Style		flare connection	
	Maximum Length	m	75	
	Chargeless Length	m	30	
	Maximum Height Difference	m	30	

Hi-Wall Type



Models

- RAV-SM566KRT-A
- RAV-SM806KRT-A

Features

With its attractive, slimline design, this unit is best suited for restaurants and other applications where elegance is required. The filtration system further improves the indoor air quality benefits of this Hi-Wall unit.

Key features

With its slim design, this compact and stylish unit blends into any room setting.

Enhanced filtration system: Zeolite Plus + Sasa filter to deodorise, Bio-Enzyme filter + Gingko filter to purify and a new antioxidant Vitamin C filter.

Auto-louvre mode allows optimum air distribution throughout the room.

A wireless controller is included.

A TCC Link remote control is optional.

HI-WALL TYPE - TWIN

Indoor		Outdoor		RAV-SM806KRT x 2
Refrigerant Type		R410A		RAV-SP1404AT-A
Power Supply		Volts-Phase-Hz		220/240V - 1 - 50Hz
Cooling	Capacity - Rated	kW		12.3
	Capacity - Range (min - max)	kW		2.6-13.5
	Efficiency (rated)	EER		3.17
	Power Input (min - rated - max)	kW		0.64 - 3.88 - 4.40
	Operating Current (rated)	A		18.0
Heating	Capacity - Rated	kW		14.0
	Capacity - Range (min - max)	kW		2.4-16.5
	Efficiency (rated)	COP		3.66
Indoor Unit	Dimension (HxWxD)	mm		320x1050x228
	Net Weight	kg		12
	Airflow Volume (H/L)	L/s		308.4/203.4
	Fan Motor Output	W		30
	Sound Pressure (H/M/L) at 1m distance	dBA		42 / 39 / 36
Outdoor Unit	Sound Power (H/M/L)	dBA		57 / 54 / 51
	Dimension (HxWxD)	mm		1340x900x320
	Net Weight	kg		93
	Compressor Type			DC Twin Rotary
	Fan Motor Output	W		100+100
Pipe Size	Cooling Operating Noise (Sound Pressure) (H) at 1m distance	dBA (@spl)		49
	Cooling Operating Noise (Sound Power) (H)	dBA (@swl)		66
	Heating Operating Noise (Sound Pressure) (H) at 1m distance	dBA (@spl)		50
	Heating Operating Noise (Sound Power) (H)	dBA (@swl)		67
	Cooling Usable Temperature Range	DB°C		-15/43
	Heating Usable Temperature Range	WB°C		-20/15
	Liquid Line Ø	(mm)		9.5
	Gas Line Ø	(mm)		15.9
Coupler Style				Flaring
Drain (Inside Diameter) Ø		mm		VP16
Maximum Length		m		50
Chargeless Length		m		30
Maximum Height Difference		m		30

HI-WALL TYPE - SUPER DIGITAL INVERTER

Indoor			RAV-SM566KRT-A	RAV-SM806KRT-A	
Outdoor			RAV-SP564ATP-A	RAV-SP804ATP-A	
Refrigerant Type			R410A	R410A	
Power Supply		Volts-Phase-Hz	220-240V/1/50Hz	220-240V/1/50Hz	
Cooling	Capacity - Rated	KW	5.0	6.6	
	Capacity - Range (min ~ max)	KW	1.2 - 5.6	1.9 - 8.0	
	Efficiency (rated)	EER	3.47	3.46	
	Star Rating		2.0	1.5	
	Power Input (min ~ rated ~ max)	KW	0.21 ~ 1.44 ~ 2.05	0.30 ~ 1.91 ~ 2.88	
	Operating Current (rated)	A	3.47	9.04	
Heating	Capacity - Rated	KW	5.6	8.0	
	Capacity - Range (min ~ max)	KW	0.9 - 7.3	1.3 - 10.6	
	Efficiency (rated)	COP	3.73	3.42	
	Star Rating		2.5	1.5	
	Power Input (min ~ rated ~ max)	KW	0.17 ~ 1.50 ~ 2.57	0.27 ~ 2.34 ~ 3.87	
	Operating Current (rated)	A	6.98 (220V)	9.04 (220V)	
Indoor	Dimension (HxWxD)	mm	320x1050x228	320x1050x228	
Unit	Net Weight	kg	12	12	
	Airflow Volume (H/L)	L/s	233/183	283/183	
	Heating Airflow Volume (H/L)	L/s	233/183	283/183	
	Fan Motor Output	W	30	30	
	Sound Pressure(H/M/L) at 1m distance	dBA	42 / 39 / 36	47 / 41 / 36	
	Sound Power(H/M/L)	dBA	57 / 54 / 51	62 / 56 / 51	
	Heating Operating Noise (Sound Pressure) (H/M/L) at 1m distance	dBA (@spl)	42 / 39 / 36	47 / 41 / 36	
	Heating Operating Noise (Sound Power) (H/M/L)	dBA (@swl)	57 / 54 / 51	62 / 56 / 51	
	Cooling Usable Temperature Range	OC	21-32	21-32	
	Heating Usable Temperature Range	OC	15-24	15-24	
	Outdoor	Dimension (HxWxD)	mm	550x780x290	890x900x320
	Unit	Net Weight	kg	44	66
		Compressor Type		DC Twin Rotary	DC Twin Rotary
		Fan Motor Output	W	43	63
		Cooling Operating Noise (Sound Pressure) (H) at 1m distance	dBA (@spl)	47	48
		Cooling Operating Noise (Sound Power) (H)	dBA (@swl)	63	64
		Heating Operating Noise (Sound Pressure) (H) at 1m distance	dBA (@spl)	48	49
Heating Operating Noise (Sound Power) (H)		dBA (@swl)	64	65	
Cooling Usable Temperature Range		OC	-15~43	-15~43	
Heating Usable Temperature Range		OC	-20~15	-20~15	
Pipe Size		Liquid Line Ø	mm	6.4	9.5
		Gas Line Ø	mm	12.7	15.9
	Coupler Style		flare connention	flare connention	
	Drain (Inside Diameter) Ø	mm	VP16	VP16	
	Maximum Length	m	50	50	
	Chargeless Length	m	20	30	
	Maximum Height Difference	m	30	30	

Comfort



Inverter
Allows step-less regulation of the air-conditioner's power, which reduces energy consumption and improves comfort.



Hot Start
When using the heater for preheating or defrosting, stops the indoor fan to prevent cold air from being blown into the room.



Auto-turn Louvers
Air outlet grilles move automatically to fill every corner of the room with warm or cool air.



Automatic Cooling/Heating
Automatically switches between cooling and heating mode.



Automatic Air Volume Control
Depending on the difference between the room temperature and the set temperature, switches automatically between High, Low and Very Low.



Dry
Gradually dehumidifies the room to create even greater comfort.

Operativity



On/Off Timer
The operation start and stop times can be set with a digital clock.







Installation



Cooler Compatible with an Outdoor Temperature of -15°C
Stable cooler operation is possible when the outdoor temperature is as low as -15°C.

Remote Controllers

Toshiba Air Conditioning Digital Inverters & Super Digital Inverters are operated with an easy-to-use remote controller.

	Wired remote controller	Wired controller with weekly timer	Backlit wired controller
Appearance			
Model name	RBC-AMT32E	RBC-AMS41E	RBC-AMS51E-EN
Wireless remote controller kits			
Appearance	 Integral receiver	 Integral receiver	 Standalone receiver
Model name	RBC-AX31U(W)-E	RBC-AX22CE2	TCB-AX32E2
Remarks	For 4-way cassette type (Series 4)	For under ceiling type (Series 2)	

Combinations

		Wired			Wireless	
		RBC-AMT32E	RBC-AMS41E	RBC-AMS51E-EN	RBC-AX22CE2	TCB-AX32E2
Compact 4-way Series 2	RAV-SM564MUT-E	OK	OK	OK		OK
4-way Cassette Series 4	RAV-SM564UTP-E	OK	OK	OK		OK
	RAV-SM804UTP-E	OK	OK	OK		OK
	RAV-SM1104UTP-E	OK	OK	OK		OK
	RAV-SM1404UTP-E	OK	OK	OK		OK
	RAV-SM1604UTP-E	OK	OK	OK		OK
Duct Series 4	RAV-SM566BT-E	OK	OK	OK		OK
	RAV-SM806BT-E	OK	OK	OK		OK
	RAV-SM1106BT-E	OK	OK	OK		OK
	RAV-SM1406BT-E	OK	OK	OK		OK
Ceiling Series 4	RAV-SM564CT-E	OK	OK	OK	OK	OK
	RAV-SM804CT-E	OK	OK	OK	OK	OK
	RAV-SM1104CT-E	OK	OK	OK	OK	OK
	RAV-SM1404CT-E	OK	OK	OK	OK	OK
High-wall Series 4	RAV-SM566KRT-A	OK	OK	OK		OK
	RAV-SM806KRT-A	OK	OK	OK		OK

SDI

Super Digital Inverter

Very efficient energy consumption

⇒ Keeps down operating costs

Heater operation is possible starting from an outdoor temperature of -20°C

(RAV-SP1104AT-A, RAV-SP1404AT-A)

⇒ Creates a comfortable space even during cold winters

Low-noise design. If the outdoor temperature is 30°C or less, operates at under 45 dB

Compatible with pipes up to 75 metres long

(RAV-SP1104AT-A, RAV-SP1404AT-A)

⇒ Enables the outdoor unit to be installed out of sight
Increases installation flexibility

Operation in Power Save Mode enables power peaks to be cut



DI

Digital Inverter

Lightweight and compact outdoor unit

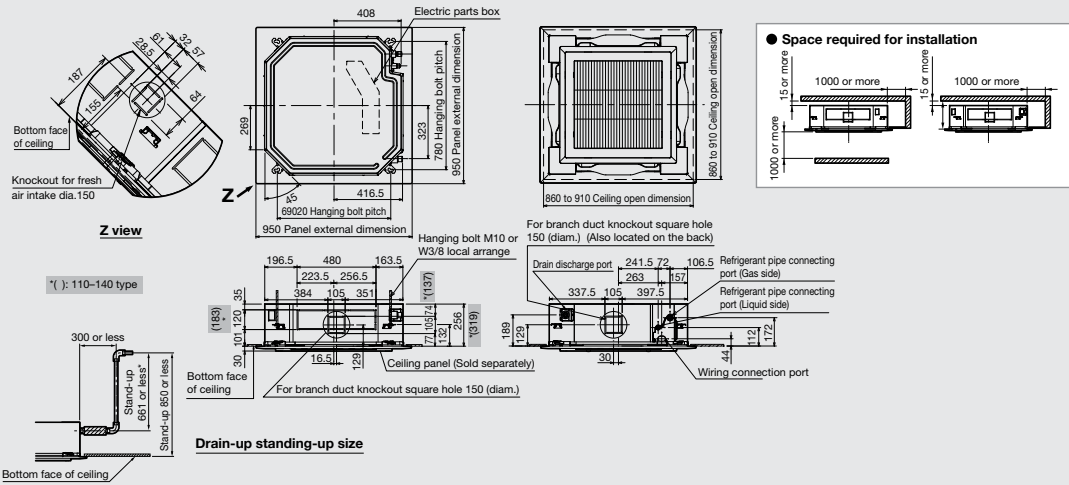
- ⇒ Reduces installation space and enables a more efficient use of the site
- ⇒ Keeps down delivery costs
- ⇒ Easy to install on a wall



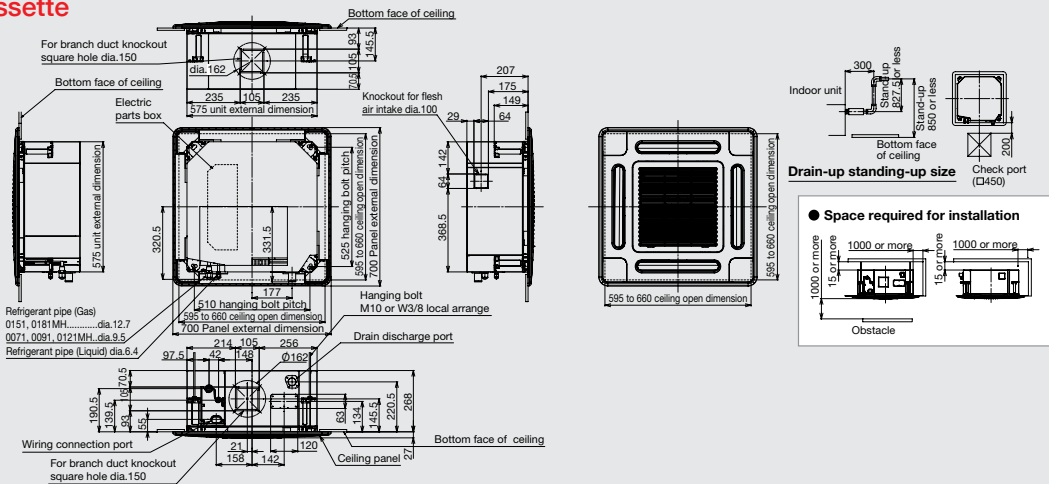
Indoor units

Unit: mm

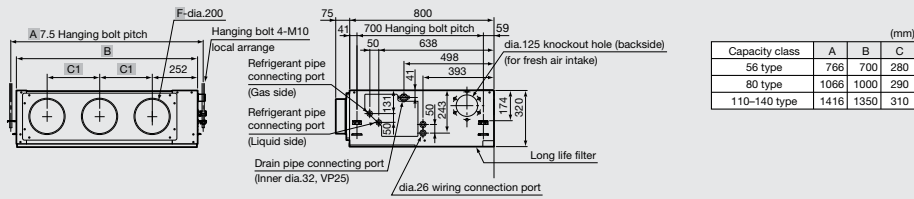
4-way cassette



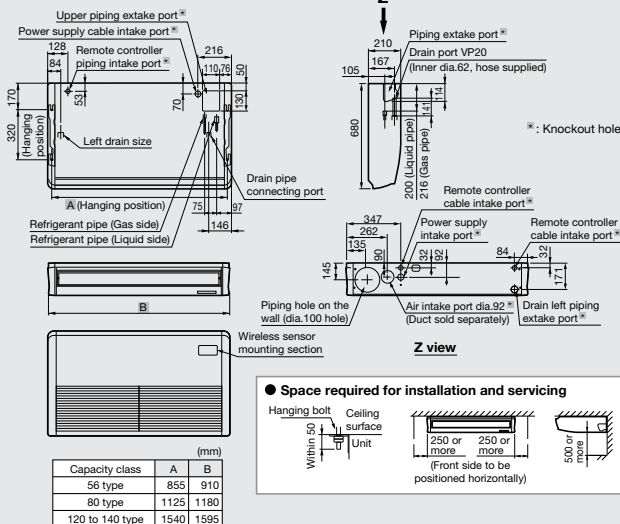
Compact 4-way cassette



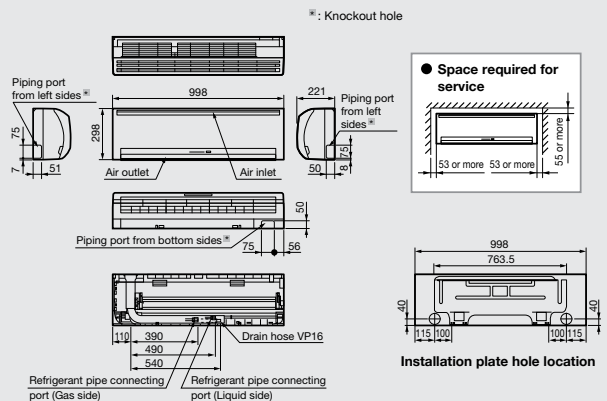
Duct



Ceiling



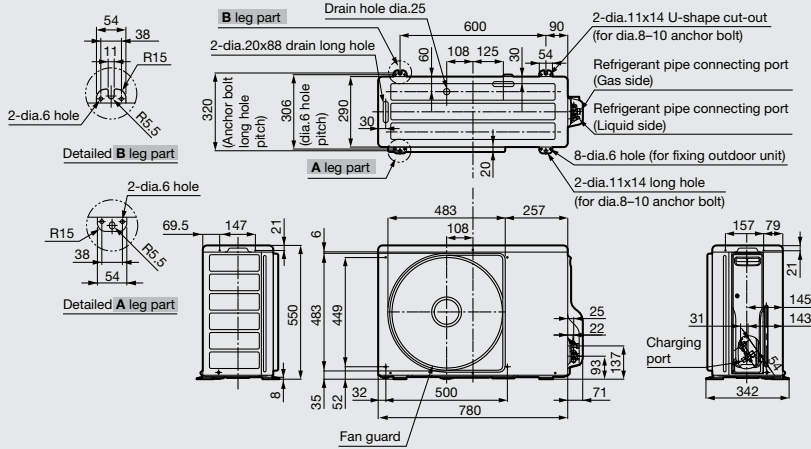
High-wall



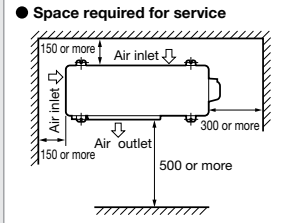
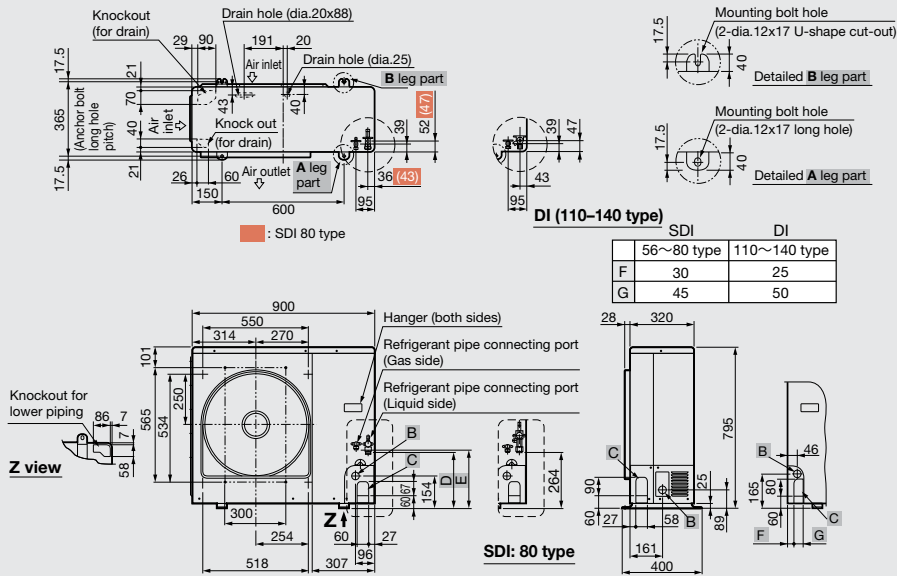
Outdoor units

Unit: mm

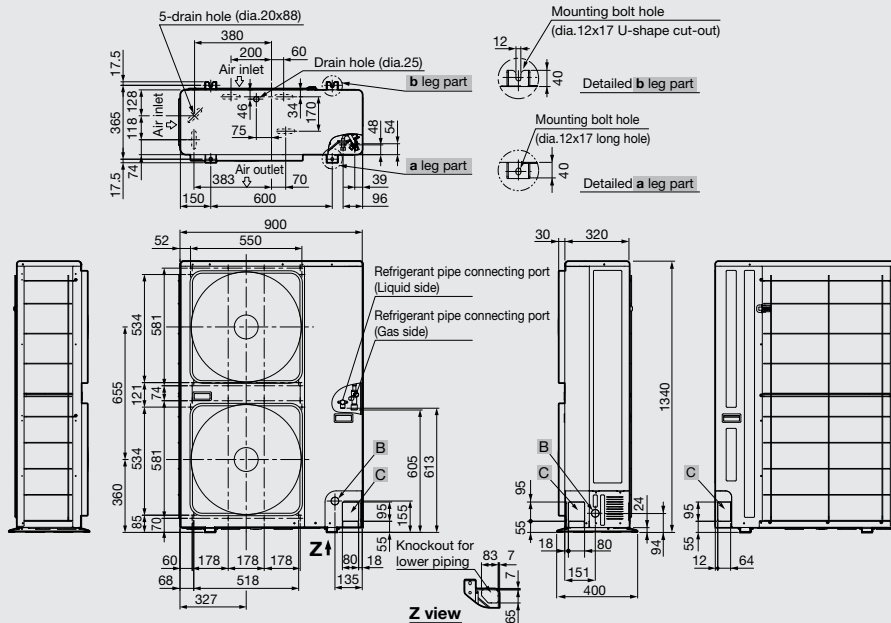
RAV-SM563AT-A~RAV-SM803AT-A



RAV-SP564ATP-A~RAV-SP804ATP-A, RAV-SM1103AT-A~RAV-SM1403AT-A



RAV-SP1104AT-A~RAV-SP1404AT-A



SDI / DI	Name	56~140 type
B	Power supply wiring hole	dia.38 knockout hole
C	Piping drawing port	

SDI	56 type	80 type
D	269	264
E	282	264

TOSHIBA

AIR CONDITIONING

Notice: Toshiba is committed to continuously improving its product to ensure the highest quality and reliability standards, and to meet local regulations and market requirements.

All features and specifications are subject to change without prior notice.

Note: All images provided in this catalogue are used for illustration purposes only.

Date: September 2013

Equipment rates in accordance with MEPS 3823.2-2011 E&OE

Sales and Service 13COOL (13 2665)
Level 1/195 Chesterville Road Moorabbin Vic 3189
ABN 47136426214
AU22499

toshiba-aircon.com.au